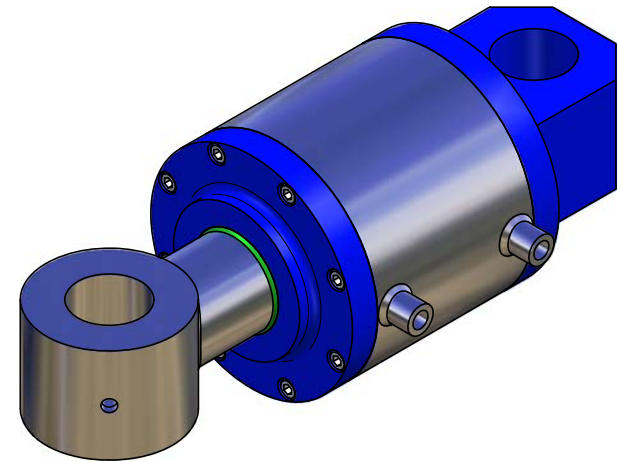
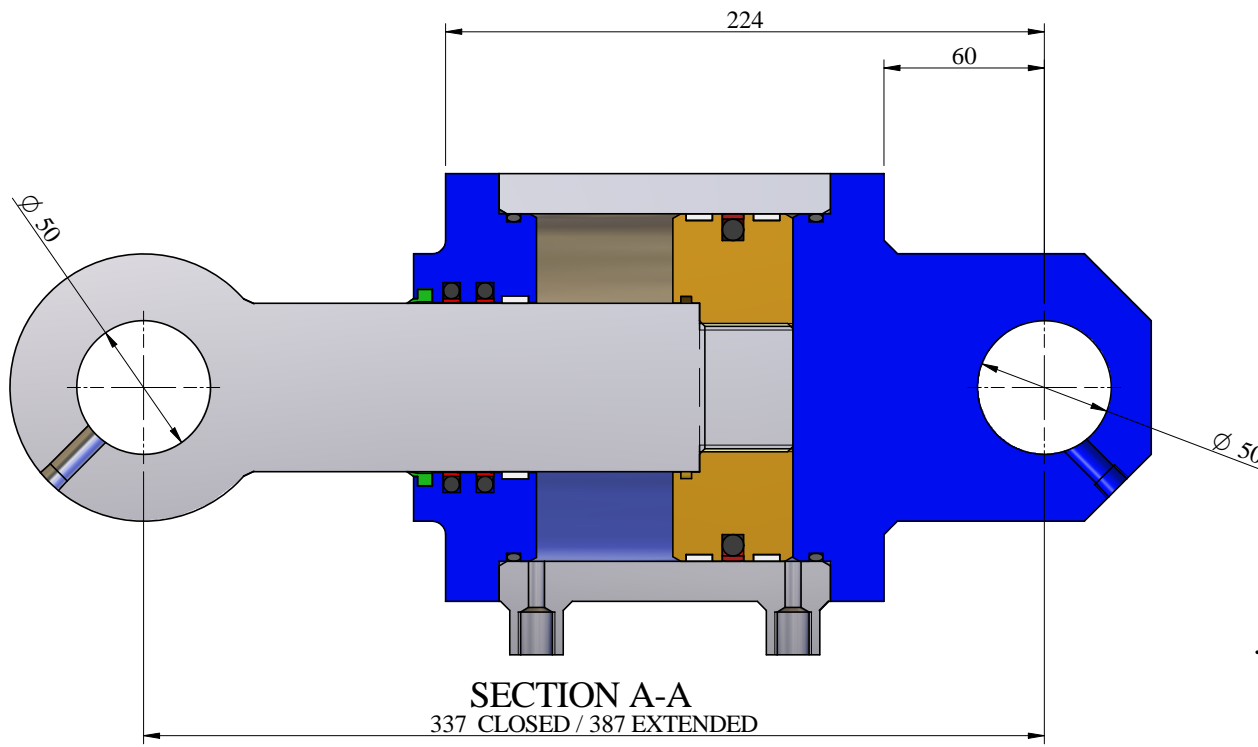
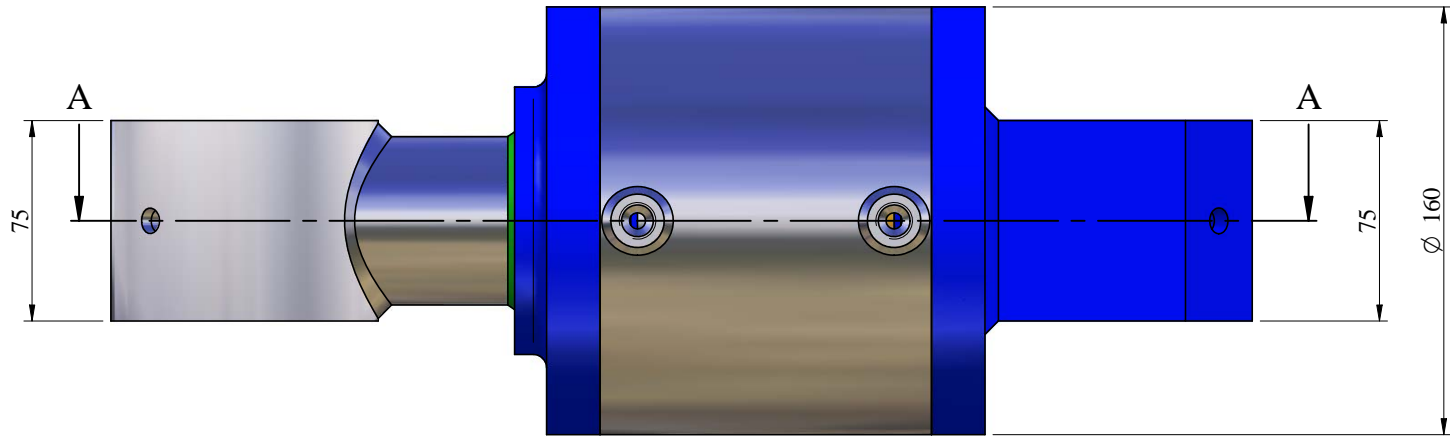


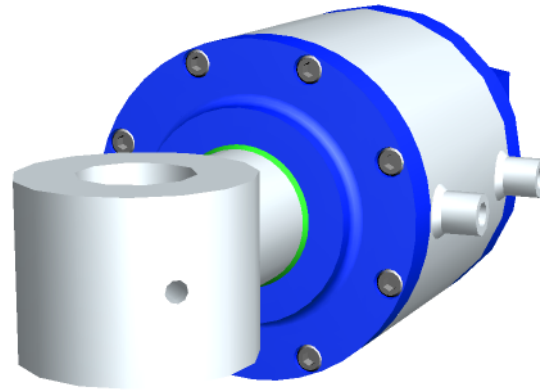
REV	DESCRIPTION	DATE



NAME	DATE	PETER WRIGHT ASSOCIATES
DRAWN PJW	05/11/06	
CHECKED		DESCRIPTION:
PETER WRIGHT ASSOCIATES ALL RIGHTS RESERVED		FILE NAME, NUMBER
DIMENSIONS IN MM TOLERANCES UNLESS OTHERWISE SPECIFIED: FABRICATION ±1.0mm MACHINING ±0.10mm ANGLES ±0.25°		REVISION
SIZE A3	SCALE NTS	WEIGHT:
		SHT 1 of 2

SECTION A-A
337 CLOSED / 387 EXTENDED

REV	DESCRIPTION	DATE



	NAME	DATE		
DRAWN	PJW	05/11/06	PETER WRIGHT ASSOCIATES	
CHECKED			DESCRIPTION:	
PETER WRIGHT ASSOCIATES ALL RIGHTS RESERVED				
DIMENSIONS IN MM			FILE NAME, NUMBER	REVISION
TOLERANCES UNLESS OTHERWISE SPECIFIED:			130 x 63 x 50 CYLINDER.dft	
FABRICATION ±1.0mm			CONTRACT NR:	
MACHINING ±0.10mm			SCALE NTS	WEIGHT:
ANGLES ±0.25°			SIZE A3	SHT 2 of 2